

6 F K R W W N \ ' L R G H V

) HDWXUHV
 " +LJK IUHTXHQF\ RSHUDWLRQ
 " +LJK SXULW\ KLJK WHPSHUDWXUH HSR[\ HQ
 HQKDQFHG PHFKDQDQDOPRWWXUWKUHVLVWD
 " *XDUG ULQJ IRU HQDQV FGGUORJHGWHPUP UH
 " 6ROGHU GLS f & PD[V SHU -(6' %

7\SLFDO \$SSOLFDWLRQV
 7\SLFDO DSSOLFDWLRQV DUH LQ VZLWFKLQJ S
 IUHHZKHHOLQJ GLRGHV DQG UHYHUVH EDWW

0HFKDQLFDO 'DWD
 " 3DFNDJH2 \$%
 0ROGLQJ FRPSRQG PHHWDPPDELOLW\
 UDWLQJ 5R+6 FRPSOLDQW
 " 7HUPLQDQVSODWHG OHDGV VROGHUDEOH S
 DQG -(6' %
 " 3RODU\$WPDUNHG

v0D[LPXP 5DW DQJV 8QOHVV RWKHU ALVH VSHFLILHG

3\$5\$0(7(5	6<0%2/	81,7	0%5)&76
'HYLFH PDUNLQJ FRGH			0%5)&76
5HSHWLWLYH 3HDN 5HYHUVH 950WDJH 9			
\$YHUDJH 5HFWLILHG 2XWSXW &XUUHQW # +] VLQH ZDYH 5 ORDG 7			
6XUJH 1RQ UHSHWLWLYH)RUZDUG &XUUHQW # +]KDOI VLQH ZDYH - F\FOH 760			
&XUUHQW 6TXDUHG 7LPH # PV"W" PV 7M - È ,W \$ V			
6WRUDJH 7HPSHUDWXUH	7VWJ	-	a
-XQFWLRQ 7HPSHUDWXUH	7M	-	a

0D[LPXP LQVWDQW DQHRXV IRUZDUG YROWDJH GURS SHU GLRGH \$			
0D[LPXP '& UHYHUVH 500UHQW DW UDWHG '& EORFNLQJ YROWDJH SHU GLRGH ,550		950 9550 7D - 950 9550 7D -	

1RWH 3XOVH WHVW X6 SXOVH ZLGK GXW\ F\FOH

1RWH 3XOVH WHVW SXOVH ZLGK P6

0 % 5) & 7 6

v7KHUPDO &KDUDFWHULS\WLFDFV RWKHU\LVH VSHFLILHG

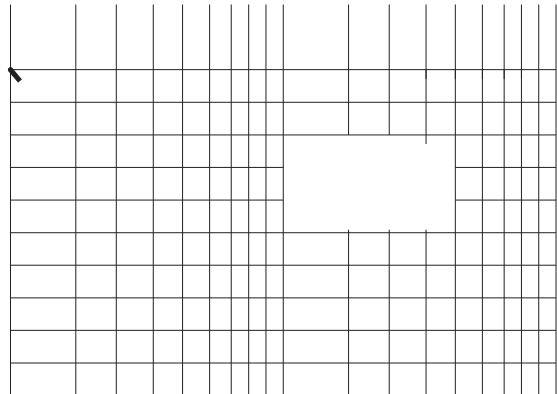
3\$5\$0(7(5		6<0%2/	81,7	0%5)&76	
7KHUPDO 5HVLV	WDQFH	%HWZHHQ M&QF&WLRQ	DQG	FDVH	

v2UGHULQJ ,QIRUPDWLRQ

35()(5(' 3 1	81,7 :(.+7	0,1,,080 3\$&.\$*(SFV	,11(5 %2; 48\$17,7< SF	287(5 &\$572 48\$17,7< SF	'(/.9(5< 02'(7XEH
0%5)&76	\$SSUR[LPDWH	\$			

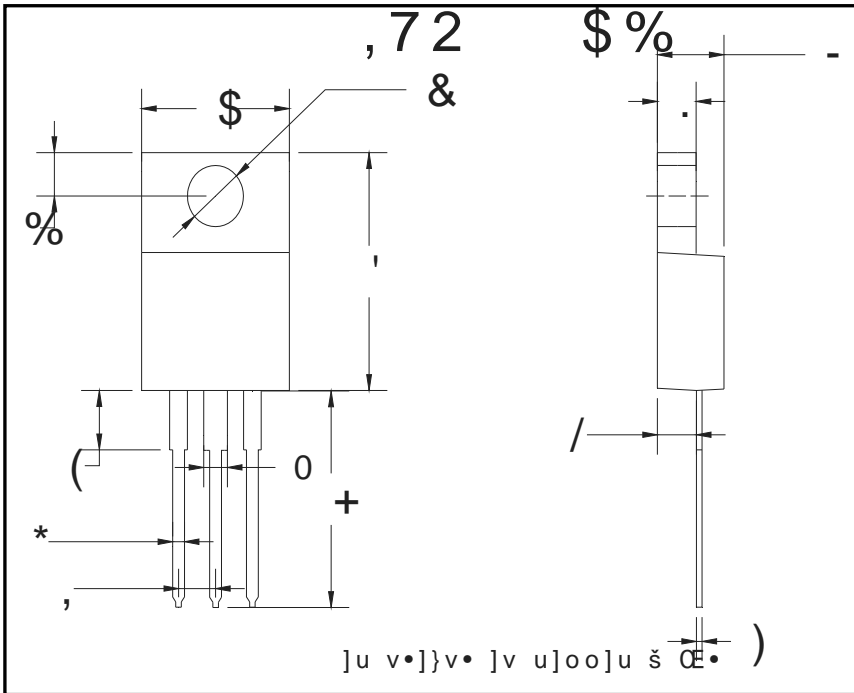
v&KDUDFWHULS\WLFDFV

3HDN)RUZDUG 6XUJH &XUUHQW



1XPEHU RI &\FOHV

v2XWOLQH 'LPHQVLRQV



	, 7 2	\$ %
'LP	0LQ	0D[
\$		
%		
&		
'		
(
)		
*		
+		
,		
-		
.		
/		
0		

'LVFODLPHU

7KH LQIRUPDWLRQ VS GRFXOWWV LQ WKH UDQJH JKRXF HDROO ZHF (KQFVRUR QLF /VHG UHV
ULJKW WR PDNHWRXOW KRWV SH FRIW RQ VSLRQG R FWWV GLV SPSURY GHKUHU OILQ WGG WVL JXQ F
RU RWKHUZLVH

7KH SURGXFW OL VGHV IJHJL WR EH HXW HGWZLRVK R HG XQS RQW RU GHYLFHW KDQG Q
HTXLSPHQW RU GHYLFHV ZKLFK UHTX LW KHKE DIO IXQ VWL RQ XH HGG DDEH CHWK DFKQ DOLIH
PHGLFDO LQVWUXOM QRUVH DQWR QHUTXLSH H RQ FKHQ U UHV FWRHO FFRQWURROOHV DQ
GHYLFHV <DQJMLH VRV DFK BQH DQ VXRLOV VARRWHO SRELVQ IEW HV R O VDIQ JGIDRP JMMFK LP
RI VDOH

7KLV SXEOLFDWLRQ SVXSHUW HGGIOLQURQ PDXLSRQ LSGHYRUR XDG GLWLRQDO LQWRUPDWLR
KWVZ Z \DQJMLHRFR PRQVXOW \RXU QH DUHVW <DQJMLVH VQVDFH OHV RILFH IRU IXUW