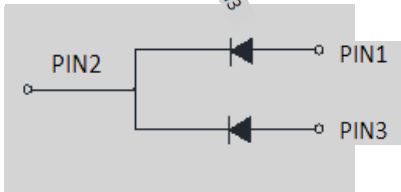
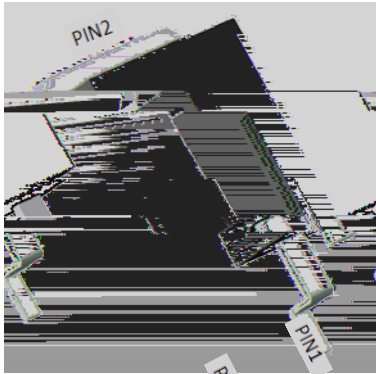




6FKRWWN\ 'LRGHV



) HDWXUHV
 " +LJK IUHTXHQF\ RSHUDWLRQ
 " +LJK SXULW\ KLJK WHPSHUDWXUH HSR[\ HQ
 HQKDQFHG PHFKDQDQDOPRWWMMQUWKUHVLVWD
 " *XDUG ULQJ IRU HQDQVFBGGUORJUGWHUP UH
 "0HHWV 06/ OHYHO SHU - 67' /) PD[LPXP

7\SLFDO \$SSOLFDWLRQV
 7\SLFDO DSSOLFDWLRQV DUH LQ VZLWFKLQJ S
 IUHHZKHHOLQJ GLRGHV DQG UHYHUVH EDWW

0HFKDQLFDO 'DWD
 " 3DFNDJH2
 0ROGLQJ FRPSRQG PHHWDPPDELOLW\
 UDWLQJ 5R+6 FRPSOLDQW
 " 7HUPLQDQVSODWHG OHDGV VROGHUDEOH S
 DQG -(6' %
 " 3RODU\$WPDUNHG

V0D[LPXP 5DWMQJV8QOHVV RWKHU\LVH VSHFLILHG

3\$5\$0(7(5	6<0%2/	81,7	0%5% &76
'HYLFH PDUNLQJ FRGH			0%5% &76
5HSHWLWLYH 3HDN 5HYHUVH 9950WDJH 9			
\$YHUDJH 5HFWLILHG 2XWSXW &XUUHQW # +] VLQH ZDYH 5QRDG 7			
6XUJH 1RQ UHSHWLWLYH)RUZDUG &XUUHQW # +]KDOI VLQH ZDYH - F\FOH 7M			
&XUUHQW 6TXDUHG 7LPH # PV"W" PV 7M - E			
6WRUDJH 7HPSHUDWXUH	7VWJ	-	a
-XQFWLRQ 7HPSHUDWXUH	7M	-	a i,nup 9)0 6+*0x 9 DIIRUZ

1RWH 3XOVH WHVW X6 SXOVH ZLGK GXW\ F\FOH
 1RWH 3XOVH WHVW SXOVH ZLGK P6



0 % 5 % & 7 6

v7KHUPDO &KDUDÄFWHUL&WQHFVV RWKHUÄLVH VSHFLILHG

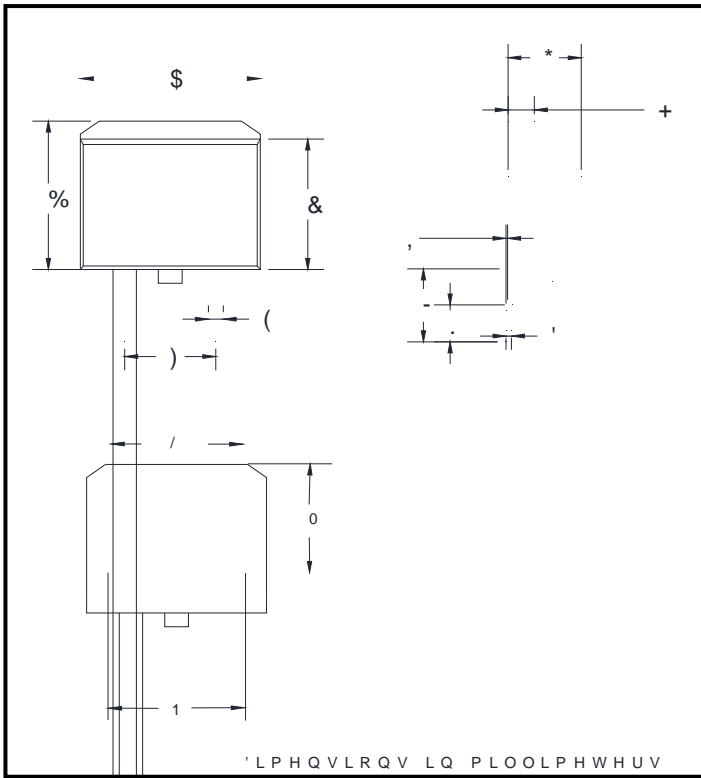
				0 % 5 % & 7 6
7KHUPDO 5HVLVWDQFH	%HWZHHQ	M&QF&WLRQ	DQG	FDVH

v2UGHULQJ ,QIRUP&RQ

35()(5(' 3 1	81,7 :(*+7	0,1,,080 ,11(5 %2;	3\$&.\$*(SF 48\$17,7< SF
--------------	------------	--------------------	---------------------------

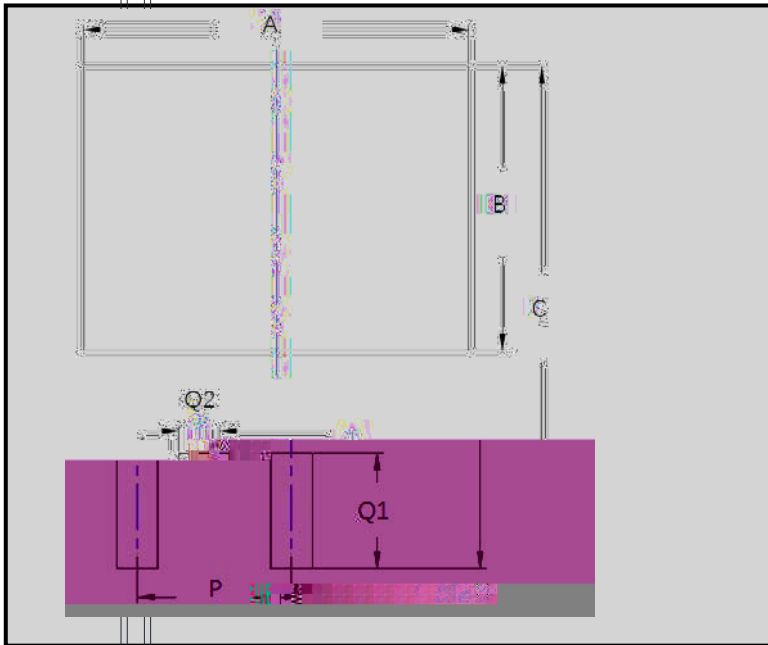


v2XWOLQH 'LPHQVLRQV



7 2		
'LP	0LQ	0D
\$		
%		
&		
'		
(
)		
*		
+		
,		
-		
.		
/		
0		
1		

v6XJJHVWHG 3DG /D\RXW



'LP	0LOOLPHWHUV
\$	
%	
&	
3	
4	



0 % 5 % & 7 6

'LVFODLPHU

7KH LQIRUPDWLRQ V GHVFXQWQV LQ WRKULJDQDJKRXF HDRQQDZH F(HOHFVRUR QLF /VHG UHV
ULJKW WR PDNLWKRDXW HQRZVSH FIRUW RQVSLRQG R FWWV GLV SPSDURYGHKUHUGILDEWQGLV L JQQ F
RU RWKHUZLVH

7KH SURGXFWQLVGHG/KJHGL WR EHHKWHGZLRQK R H G X Q S P H Q W RU GHYLFHWWKQ G Q
HTXLSPHQW RU GHYLFHV ZKLFK UHTX LW KHKE DIO IOZLFWO ZRQXIHOCDEHCHWOK DFKQDOLIH
PHGLFDO LQVWOMSPHQWV