



0 % 5 / & '

v7KHUPDO &KDUDFWHUL&QDFV RWKHU&LVH VSHFLILHG

3\$5\$0(7(5		6<0%2/	81,7	0%5/ &'
7KHUPDO 5HVLVWDQFH	%HWZHHQ MX.QFWLRQ :DQG FDVH			5

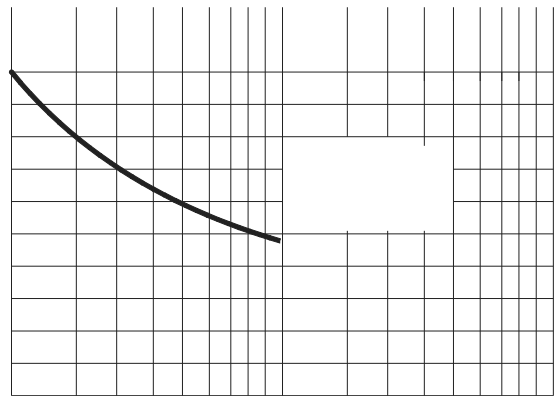
v2UGHULQJ ,QIRUP&RQ

35()(5(' 3 1	81,7 :(',*+7	0,1,,080 3&.\$*( SFV	,11(5 %2; 48\$17,7< SF	287(5 &\$572 48\$17,7< SF	'(/,9(5< 02'( 5HHO
0%5/ &'	\$SSUR[LPDWH				

v&KDUDFWHUL&WFLDFV

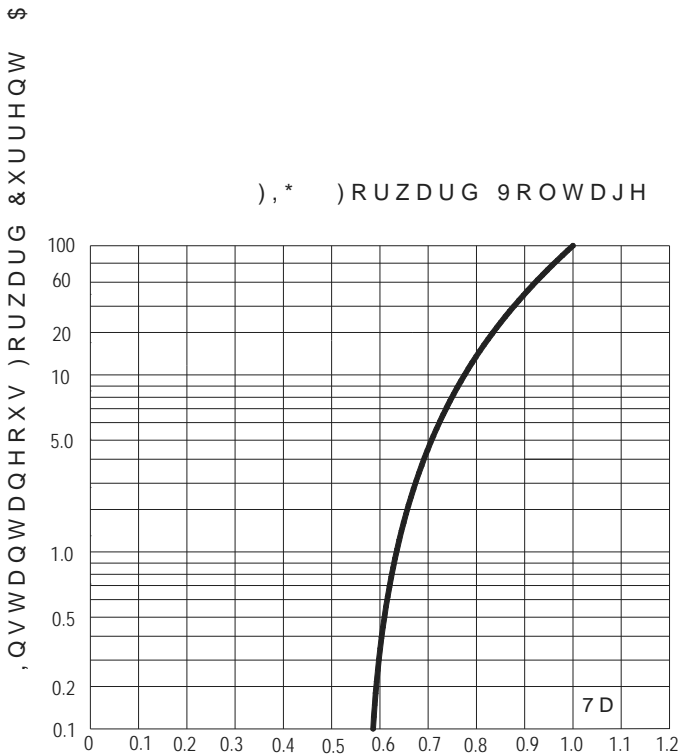
\$  
&XUUHQW  
&RUZDUG 6XUJH  
&RUZDUG 6XUJH

),\* 6XUJH )RUZDUG &XUUHQW &DSDE



1XPEHU RI &\FOHV

),\* )RUZDUG 9ROWDJH



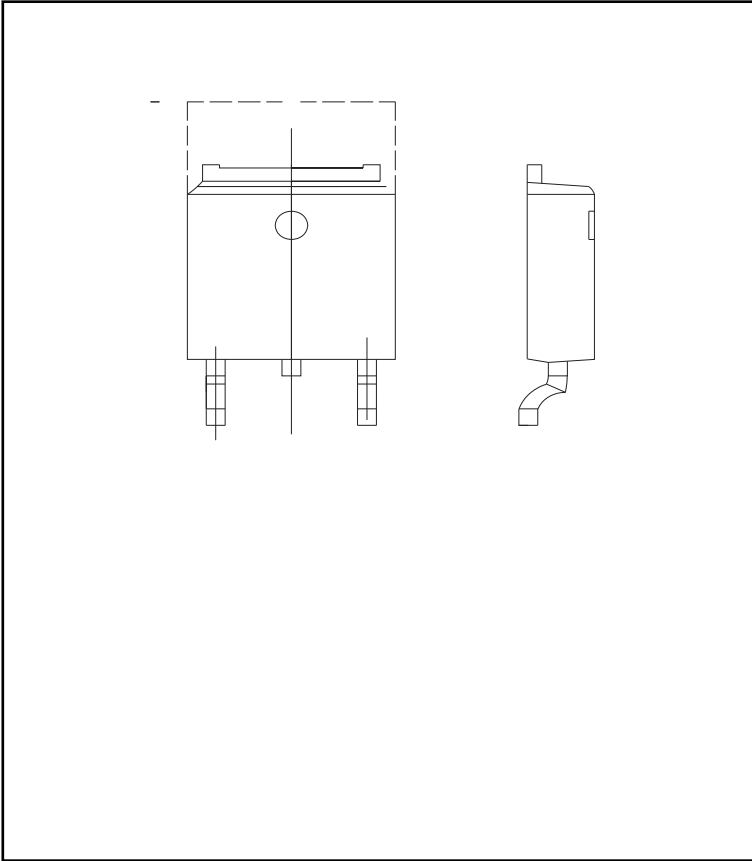
,QVWDQWDQHRXV )RUZDUG 9ROWDJH 9

6 %  
5HY

-XQ

<DQJ]KRX <DQJMEH HOKGWRQ &R /ZG \DQJMLH P

v2XWOLQH 'LPHQVLRQV



72		
'LP	0LQ	0D
\$		
%		
&		
'		
(		
)		
*		
+	ï	ï
,		
-		
.		
/		
0		
1		
2		
3		

'LVFODLPHU

7KH LQIRUPDWLRQ V GHVFXQWQV LQ WKH UDQGHU JKRQF HDUHQ OZH FHOHFWUR &LF /VHG UHV  
ULJKW WR PDNLWKRDXW IRU VSHFIRU RYVSLRQG R FWWV GLV SPSURYGHKUHUGLDEWGLWV L JQQ F  
RU RWKHU ZLVH

7KH SURGXFW QLVGHG IJHGH WR EH HOHHGWZLRWK R HG XQSRHQW RU GHYLFH WKDQG Q  
HTXLSPHQW RU GHYLFHV ZKLFK UHTXLMKHKE DIO IZLWV R RQXIHG GDEH GHWOK DFKQ DOLIH  
PHGLFDO LQVWUXQMSRUWHDWLRQHUTRXLSPH RDXFKLHQ U UHDFWRHU FFRQWURROOHU V DQ  
GHYLFHV <DQJMLHVRV DOKBQH DQVXRIV VARRWHO SBRVQLEWV R O VDIQ JGIDRPPMMFK LP  
RI VDOH

7KLV SXEOLFDFWLRQ SVXSHUW HDGVLQURUPDXVLSRQ LSGHYRUR XGGLWLRQDO LQWRUPDWLR  
KWVZZ \DQJMLHRRRPRQVXOW \RXU QHDUHVW <DQJMLVHMVQVDFHOHV RILFH IRU IXUW