



MBRU20100CTA

Schottky Diodes

Features

- High frequency operation
- Low forward voltage drop
- High purity, high temperature epoxy encapsulation for enhanced mechanical strength and moisture resistance
- Guard ring for enhanced rugged

Terminals: Tin plated leads, solderable per J-STD-002 and JESD22-B102

Polarity: As marked

Maximum Ratings (T_a=25 Unless otherwise specified)

PARAMETER	SYMBOL	UNIT	MBRU20100CTA
Device marking code			MBRU20100CTA
Repetitive Peak Reverse Voltage	VRRM	V	100
Average Rectified Output Current @60Hz sine wave, R-load, T _a =25	I _O	A	20
Surge(Non-repetitive)Forward Current @60Hz half sine-wave, 1 cycle, T _a =25	I _{FSM}	A	250
Current Squared Time @1ms t<8.3ms T _J =25	I ² t	A ² s	262
Storage Temperature	T _{stg}		-55 ~ +150
Junction Temperature	T _j		

			RR	U	R
Maximum instantaneous forward voltage drop per diode	VFM	V	I _{FM} =10.0A		0.65
Maximum DC reverse current at rated DC blocking voltage per diode	I _{RRM1} I _{RRM2}	mA	V _{RM} =V _{RRM}		0.2

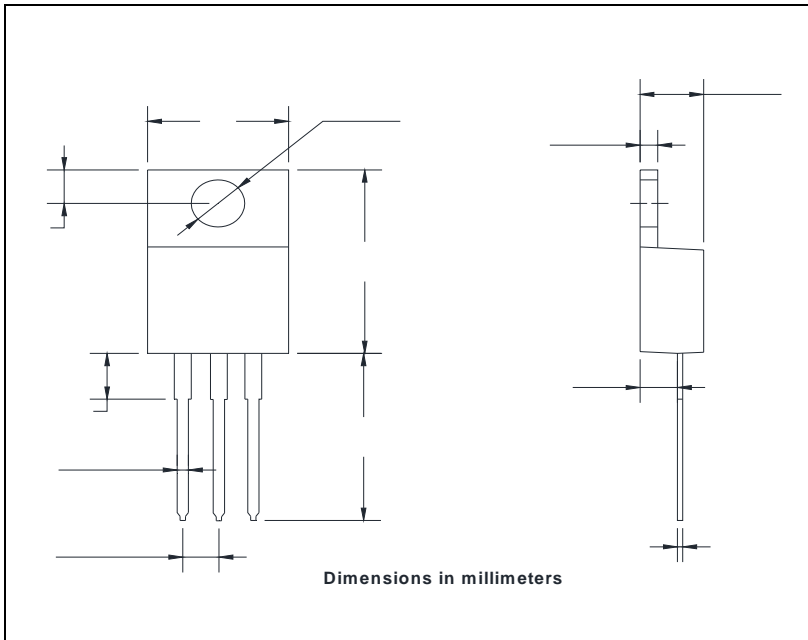
Molding compound meets UL - 4 V-0 flammability rating 2 RoHS compliant





MBRU20100CTA

Outline Dimensions



TO-220AB		
Dim	Min	Max
A	9.95	10.35
B	2.55	2.95
C	3.8	4.0
D	14.95	15.25
E	3.75	4.25
F	0.26	0.5
G	0.68	0.94
H	13.4	13.9
I	2.35	2.65
J	4.38	4.78
K	1.14	1.4
L	2.37	2.79



MBRU20100CTA

Disclaimer

The information presented in this document is for reference only. Yangzhou Yangjie Electronic Technology Co., Ltd. reserves the right to make changes without notice for the specification of the products displayed herein to improve reliability, function or design or otherwise.

The product listed herein is designed to be used with ordinary electronic equipment or devices, and not designed to be used with equipment or devices which require high level of reliability and the malfunction of which would directly endanger human life (such as medical instruments, transportation equipment, aerospace machinery, nuclear-reactor controllers, fuel controllers and other safety devices), Yangjie or anyone on its behalf, assumes no responsibility or liability for any damages resulting from such improper use.